



TOWN OF WRENTHAM

BUILDING DEPARTMENT · 350 TAUNTON STREET · WRENTHAM, MA 02093
Tel. 508-384-5421 · Fax. 508-384-6553 · Email jnaff@wrentham.ma.us

John G. Naff, CBO
Building Commissioner
Zoning Enforcement Officer

APPLICATION FOR SWIMMING POOLS, HOT TUBS

FEE: In ground pool \$120/ above ground pool, spa/hot tub \$60

DATE OF APPLICATION: _____ PERMIT NUMBER _____

BUILDING OFFICIAL APPROVAL: _____ DATE _____

HIC REGISTRATION # _____ expiration _____ (Required for in ground pools only)

NAME OF APPLICANT: _____

ADDRESS _____ TEL # _____

NAME OF PROPERTY OWNER: _____

ADDRESS _____ TEL # _____

OWNERS SIGNATURE REQUIRED: * _____

ADDRESS OF POOL INSTALLATION: _____

(Circle choice) ABOVE GROUND - IN GROUND - GUNITE - VINYL- METAL- WALL-CONCRETE

OTHER _____ WIDTH _____ LENGTH _____ MAXIMUM DEPTH _____

A PLOT PLAN IS REQUIRED INDICATING THE LOCATION OF THE POOL

Distance to: rear lot line _____ side lines _____ from dwelling _____ other structure _____

Note: Swimming pools shall be located no less than 40 feet from the front lot line and not less than 10 feet from the side or rear lot lines. Measurements shall be from the water's edge. The plot plan must be up to date, indicating these structures.

Distance to leaching facility _____ distance to septic tank _____

Board of Health requirements: In ground minimum - 20' from leach facility, 10' from septic tank.

Above ground minimum - 4' from septic tank, distribution box, leach field or pits.

Type of filtration system: Diatomaceous earth _____ sand _____ cartridge _____ other _____

Will there be underwater lighting? Y / N accessory building? Y / N If yes, a separate building permit is required for the structure, indicated on the plot plan. Will the pool be heated? Y / N.
An electric permit is also required.

Estimated cost of the pool/spa/hot tub \$ _____

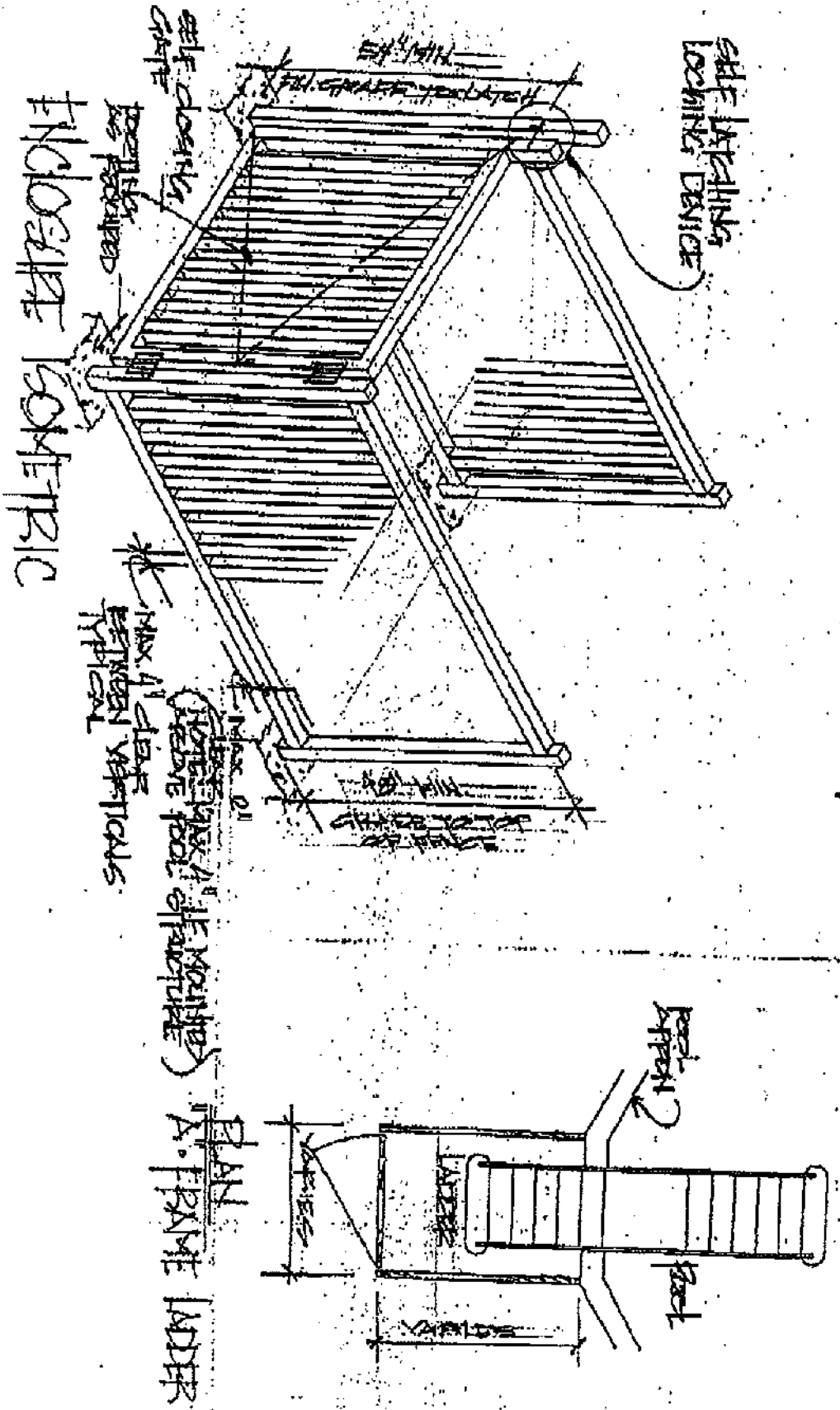
Pool must conform to local zoning by-laws, state regulations, appendix G, and any other applicable sections of 780 CMR. Construction and safety requirements must be compliant and inspected before using the pool.

*** I HAVE READ AND RETAINED COPIES OF THE ATTACHED IMPORTANT INFORMATION***

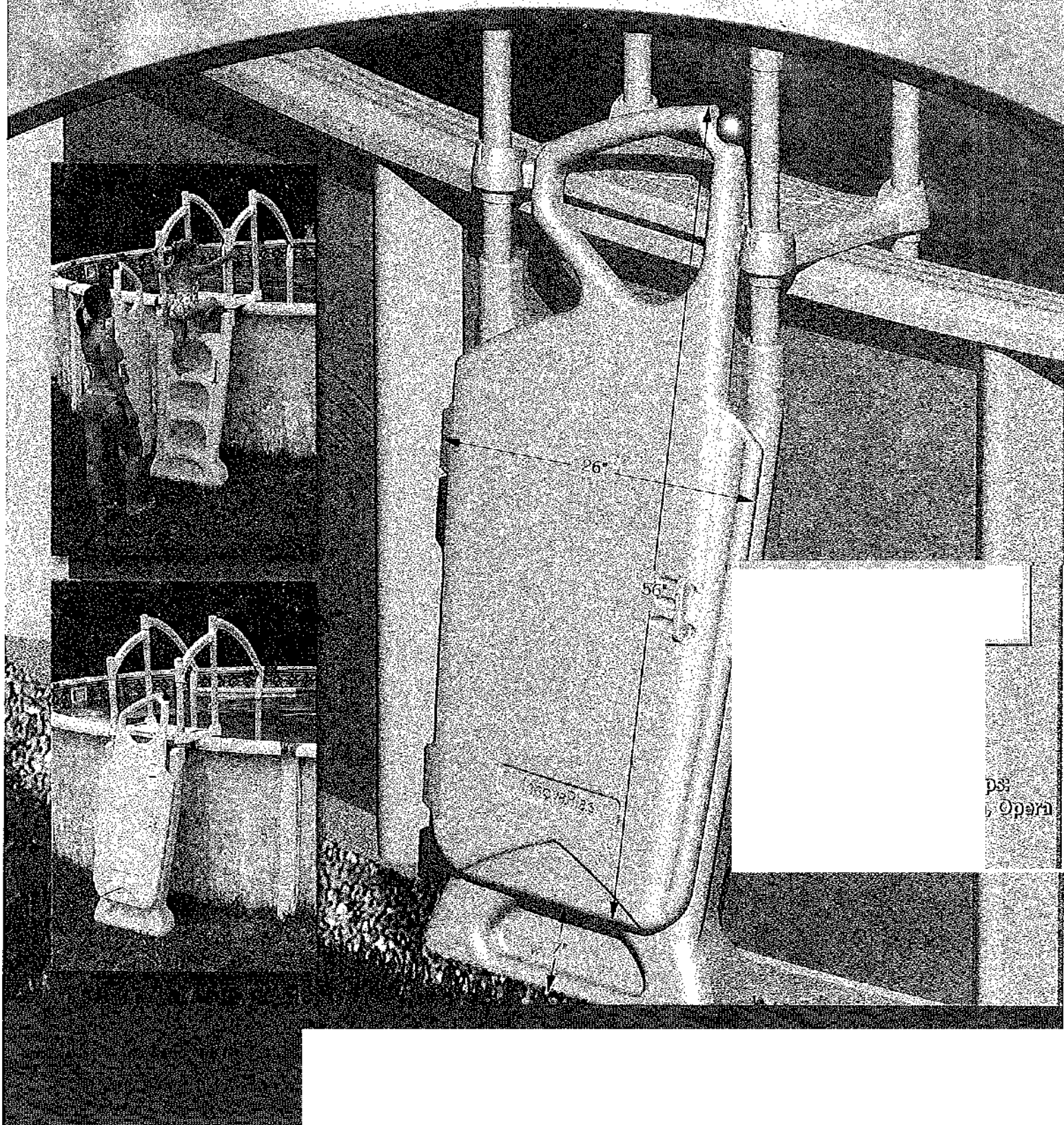
Signature: _____ Under pains and penalty of perjury all statements are true

SAMPLE

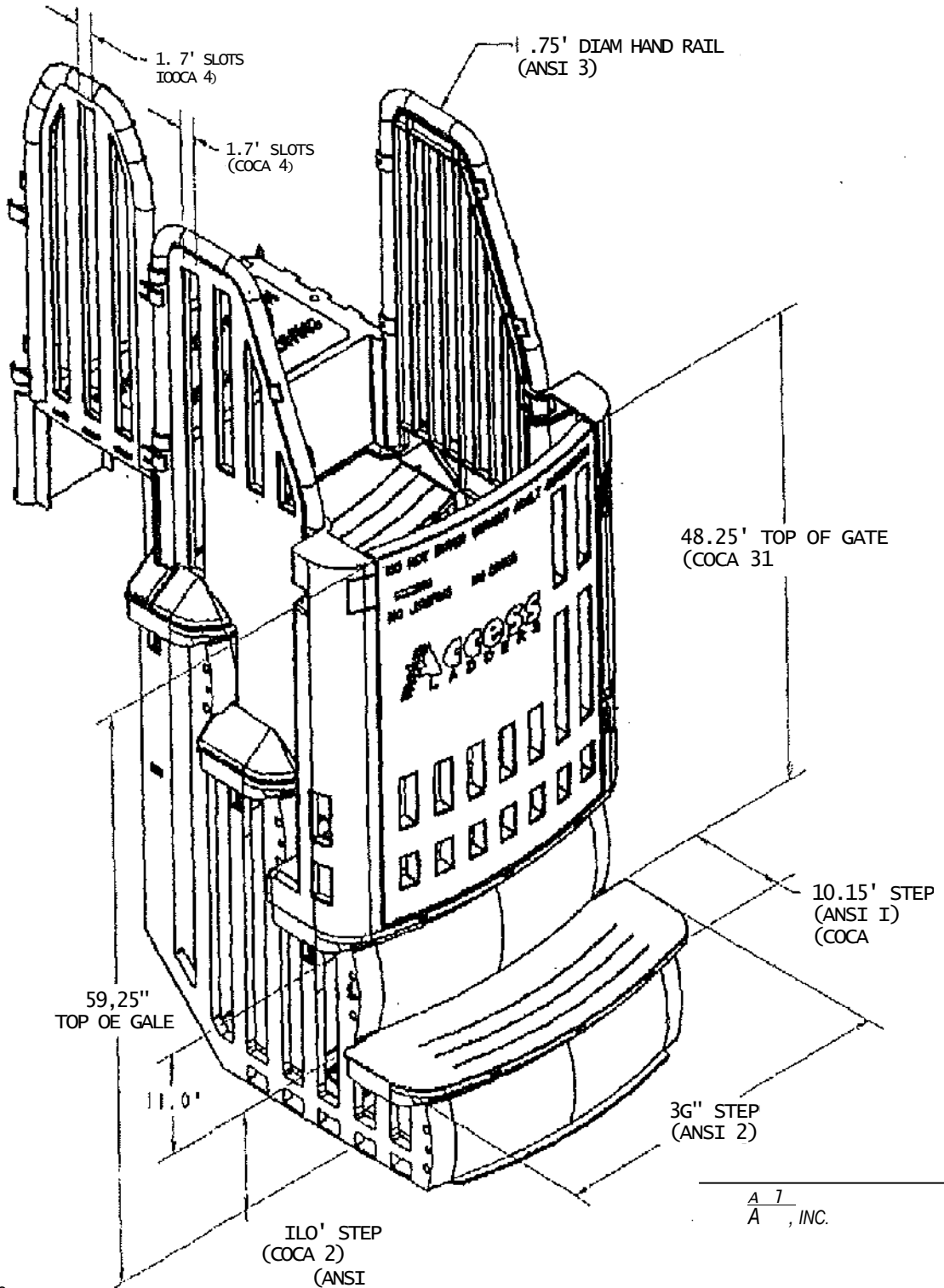
FOR DESIGN PURPOSES ONLY



SELF-LATCHING SYSTEM



5 tam PI



MATERIAL:

SCALE:

6119u1ddApiramo
.55* .11 | RACICVS
t.41 .111 k.043
KVAI

MATERIAL: 141507-MilshallflaraMMI04 HMV BY: J HAHN DATE: 0a-08-01 IE
EAMNOTC(EP.)SOLA

